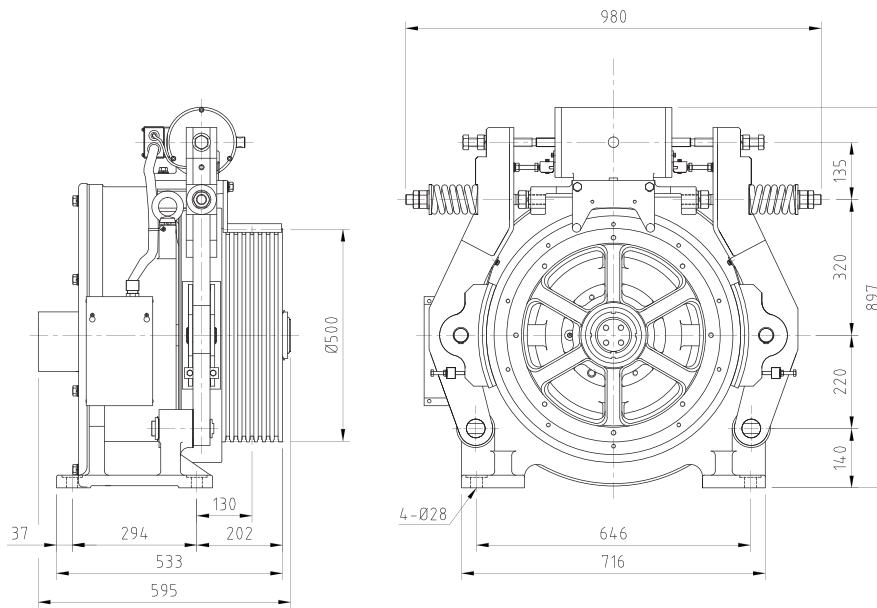
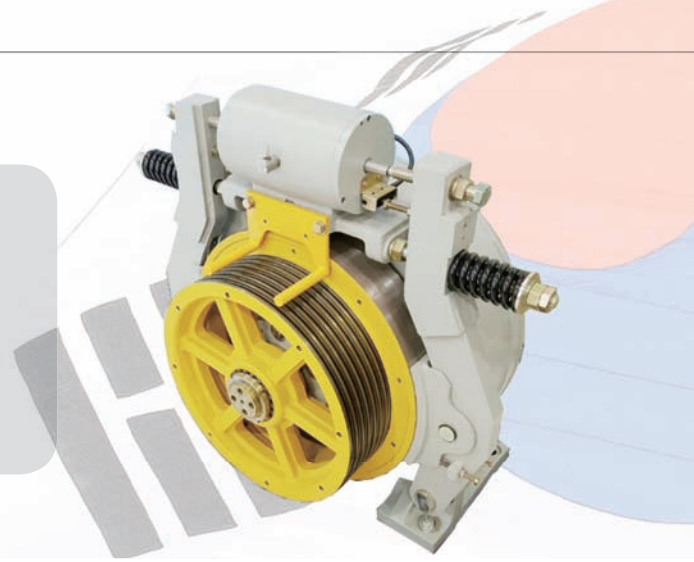


TK060

- Usage MR(Machine Room)
- Rated Load ~1,150kg(1:1)
- Elevator Speed ~2.5m/s
- Max Shaft Load 6,000kg
- Brake KBD37 DC90V/60V
- Weight 680kg



모델명 Model No.	속도 Speed (m/s)	정격하중 Rated load (kg)	시브 직경 Sheave Dia. (mm)	로프경 x 분수 Rope Dia. x QTY (Max.)	출력 Output (kW)	회전수 (rpm)	주파수 Frequency (Hz)	정격토크 Rated Torque (N·m)	정격전압 Voltage (V)	전류 Current (A)	로핑 Ropping	극수 Poles	절연등급 Insulation Class										
TK060-052	1.00	900	500	Φ12x7	5.2	38	10.2	1292	253	17.9	1:1	32	F										
TK060-078	1.50				7.8	57	15.3	1304	230	28.3													
TK060-091	1.75				9.1	67	17.8	1303	265	28.3													
TK060-104	2.00				10.4	76	20.4	1300	264	32.1													
TK060-131	2.50				13.1	96	25.5	1308	264	37.6													
TK060-058	1.00	1000			500	Φ12x7	5.8	38	10.2	1450				265	20.0	1:1	32	F					
TK060-087	1.50						8.7	57	15.3	1450				239	31.5								
TK060-101	1.75						10.1	67	17.8	1444				275	31.4								
TK060-115	2.00						11.5	76	20.4	1450				274	35.8								
TK060-145	2.50						14.5	96	25.5	1450				275	41.6								
TK060-067	1.00	1150					500	Φ12x7	6.7	38				10.2	1675				276	22.0	1:1	32	F
TK060-100	1.50								10.0	57				15.3	1667				242	35.5			
TK060-116	1.75								11.6	67				17.8	1658				278	35.3			
TK060-133	2.00								13.3	76				20.4	1662				234	47.7			
TK060-166	2.50								16.6	96				25.5	1660				287	47.7			