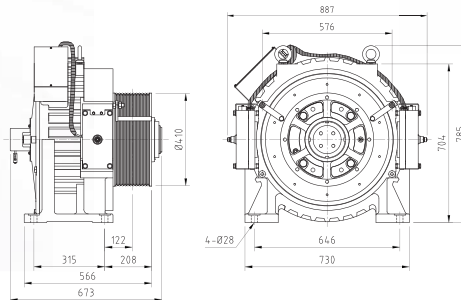


TK090

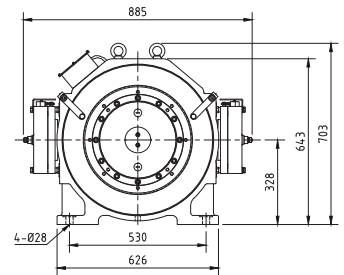
- Usage MR(Machine Room)
- Rated Load ~1,600kg(2:1)
- Elevator Speed ~2.5m/s
- Max Shaft Load 9,000kg
- Brake REB3101 DC110V/70V
- Weight 715kg



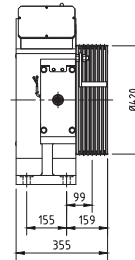
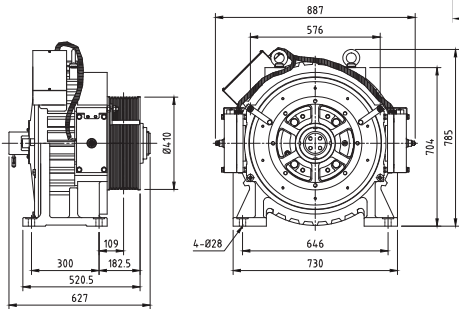
▼ ~1,200kg



▼ ~1,600(~2m/s)



▲ ~1,600kg(2~2.5m/s)



모델명 Model No.	속도 Speed (m/s)	정격하중 Rated load (kg)	시브 직경 Sheave Dia. (mm)	로프경 x 분수 Rope Dia. x QTY (Max.)	출력 Output (kW)	회전수 (rpm)	주파수 Frequency (Hz)	정격토크 Rated Torque (N-m)	정격전압 Voltage (V)	전류 Current (A)	로핑 Ropping	극수 Poles	절연등급 Insulation Class				
TK090-072	1.00	1150	420	Φ10x7	7.2	91	24.3	757	287	18.8	2:1	32	F				
TK090-108	1.50				10.8	136	36.4	753	213	37.7							
TK090-126	1.75				12.6	159	42.5	754	246	37.9							
TK090-145	2.00				14.5	182	48.5	754	281	38.0							
TK090-085	1.00				1350	410	Φ10x6	8.5	91	24.3				892	300	22.2	
TK090-127	1.50	12.7						137	36.5	885				222	44.3		
TK090-148	1.75	14.8						159	42.4	888				257	44.5		
TK090-169	2.00	16.9						182	48.5	887				293	44.6		
TK090-100	1.00	1600						420	Φ10x7	10.0				91	24.3	1051	308
TK090-150	1.50				15.0					137				36.5	1048	247	46.3
TK090-175A	1.75		17.5	159	42.4					1051				286	46.6		
TK090-200	2.00		20.0	182	48.5					1050				326	46.7		
TK090-070	1.00		1150	410	Φ10x5					7.0				93	0.0	719	126
TK090-105	1.50	10.5								140				0.0	716	185	44.7
TK090-123	1.75	12.3				163	0.0			721				214	45.2		
TK090-140	2.00	14.0				186	0.0			720				243	45.2		
TK090-175	2.50	17.5				233	62.1			717				302	45.2		
TK090-081	1.00	1350	410			Φ10x6	8.1			93				0.0	831	131	46.8
TK090-122	1.50						12.2	140	0.0	835				193	47.3		
TK090-142	1.75						14.2	163	0.0	833				223	47.3		
TK090-162	2.00						16.2	186	0.0	831	253	47.3					
TK090-203	2.50						20.3	233	62.1	832	316	47.5					
TK090-096	1.00	1600		420	Φ10x6		9.6	93	0.0	985	127	60.0					
TK090-144	1.50						14.4	140	0.0	981	186	60.0					
TK090-168	1.75						16.8	163	0.0	984	216	60.3					
TK090-192	2.00						19.2	186	0.0	988	246	60.6					
TK090-240	2.50						24.0	233	62.1	984	305	60.6					