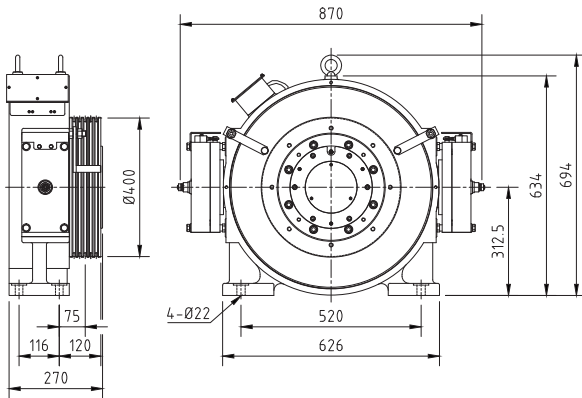
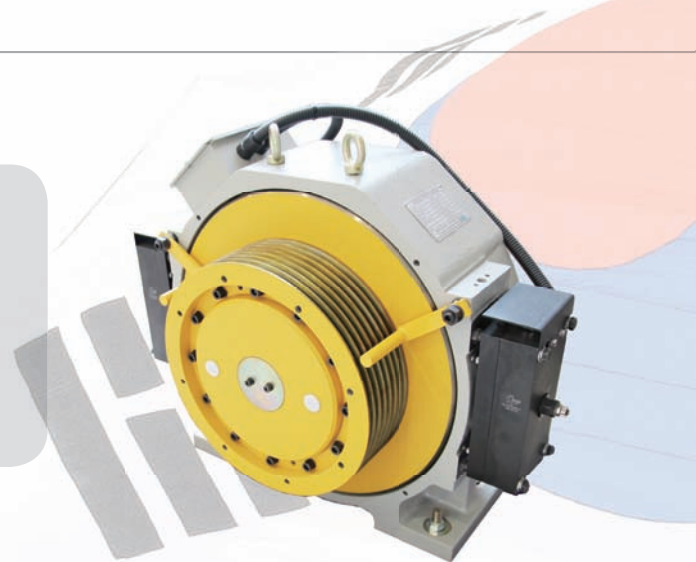
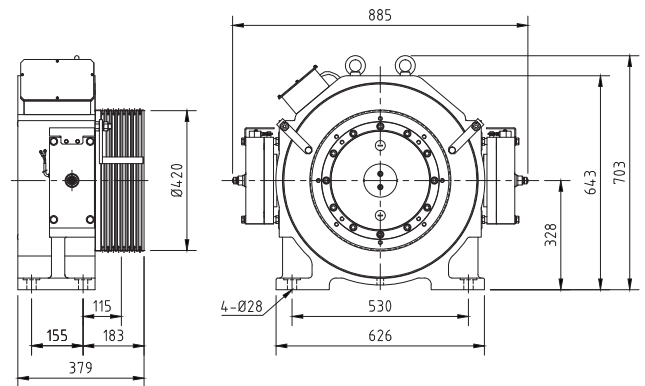


TK050

- Usage MR, MRL
- Rated Load ~1,000kg(1:1)
- Elevator Speed ~2.0m/s
- Max Shaft Load 5,000kg
- Brake REB3101 DC110V/70V
- Weight 565kg



▲ ~750kg, 1.75m/s (1:1)



▲ ~1,000kg, ~ 2.0m/s (1:1)

모델명 Model No.	속도 Speed (m/s)	정격하중 Rated load (kg)	시브 직경 Sheave Dia. (mm)	로프경 x 본수 Rope Dia. x QTY (Max.)	출력 Output (kW)	회전수 (rpm)	주파수 Frequency (Hz)	정격토크 Rated Torque (N·m)	정격전압 Voltage (V)	전류 Current (A)	로핑 Ropping	극수 Poles	절연등급 Insulation Class
TK050-040	1.00	700	400	Φ10x5	4.0	48	12.8	796	264	13.2	1:1	32	F
TK050-061	1.50				6.1	72	19.1	809	242	21.4			
TK050-071	1.75				7.1	84	22.3	811	278	21.5			
TK050-046	1.00	750	400	Φ10x5	4.6	48	12.8	916	283	15.0			
TK050-069	1.50				6.9	72	19.2	915	261	23.6			
TK050-081	1.75				8.1	84	22.3	920	301	23.7			
TK050-052	1.00	900	420	Φ10x8	5.2	45	12.1	1080	260	16.2			
TK050-078	1.50				7.8	68	18.2	1092	240	25.5			
TK050-092	1.75				9.2	80	21.2	1099	280	25.7			
TK050-104	2.00	1000	420	Φ10x8	10.4	91	24.3	1093	263	30.8			
TK050-058	1.00				5.8	46	12.3	1204	270	18.1			
TK050-087	1.50				8.7	68	18.1	1222	248	28.6			
TK050-102	1.75				10.2	80	21.3	1218	289	28.6			
TK050-116	2.00				11.6	91	24.3	1218	272	34.3			