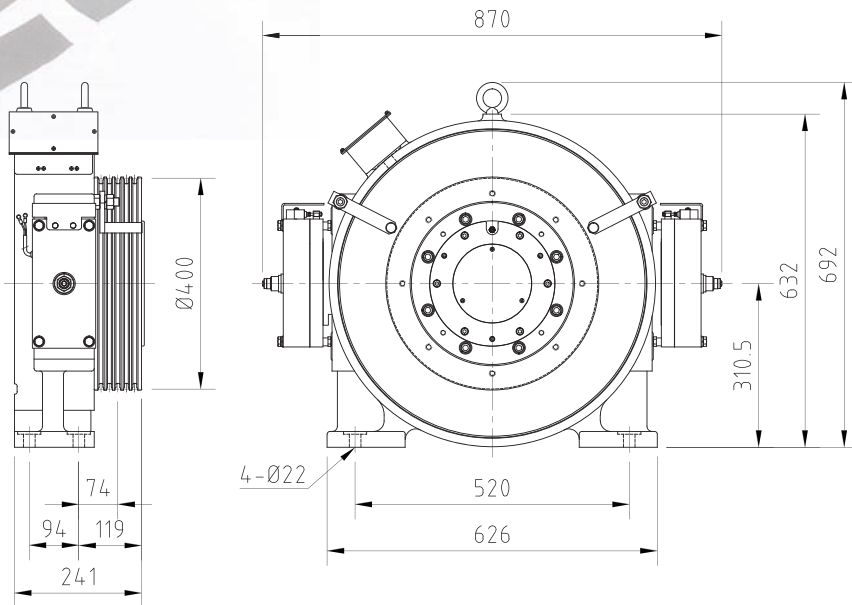


TK035

- Usage MR(Machine Room)
- Rated Load ~630kg(1:1)
- Elevator Speed ~1.75m/s
- Max Shaft Load 3,500kg
- Brake REB31 DC110V/70V
- Weight 360kg



▲ ~630kg, 1.75m/s (1:1)

모델명 Model No.	속도 Speed (m/s)	정격하중 Rated load (kg)	시브 직경 Sheave Dia. (mm)	로프경 x 본수 Rope Dia. x QTY (Max.)	출력 Output (kW)	회전수 (rpm)	주파수 Frequency (Hz)	정격토크 Rated Torque (N·m)	정격전압 Voltage (V)	전류 Current (A)	로핑 Ropping	극수 Poles	절연등급 Insulation Class
TK035-031	1.00	550	400	φ10x5	3.1	48	12.8	620	196	13.4	1:1	32	F
TK035-047	1.50				4.7	72	19.1	626	285	13.7			
TK035-055	1.75				5.5	84	22.3	629	268	16.9			
TK035-036	1.00	630			3.6	48	12.8	719	208	15.6			
TK035-054	1.50				5.4	72	19.1	720	301	15.6			
TK035-063	1.75				6.3	84	22.3	720	282	19.4			